

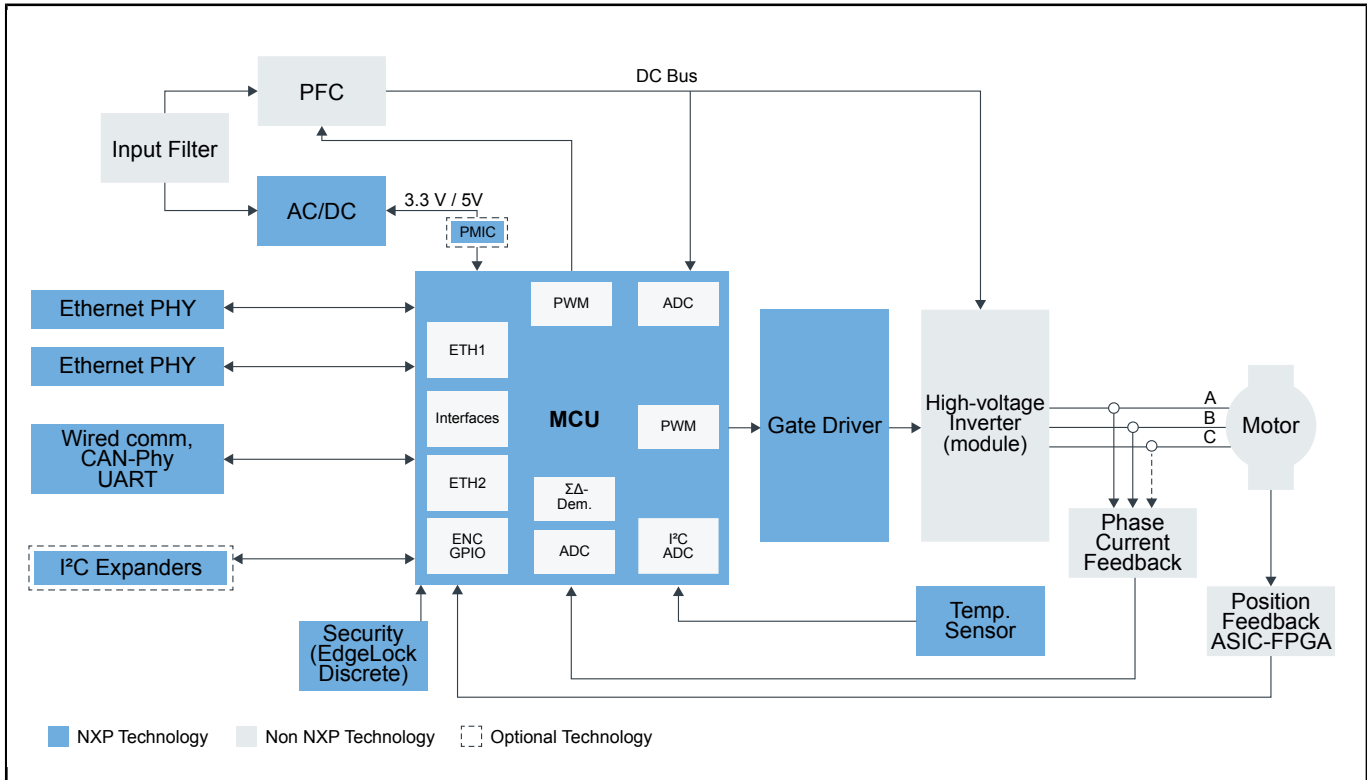


Motor Drives

Last Updated: May 9, 2023

Motor drives precisely control speed and positioning to conserve energy and increase the lifespan of electric motors, which uses a foundation of secure edge processing, high-efficiency power management ICs, RTCs, thermal-efficient power drivers with current monitoring capability, USB and CAN transceivers, and voltage level translators.

Servo Motor Drive Block Diagram

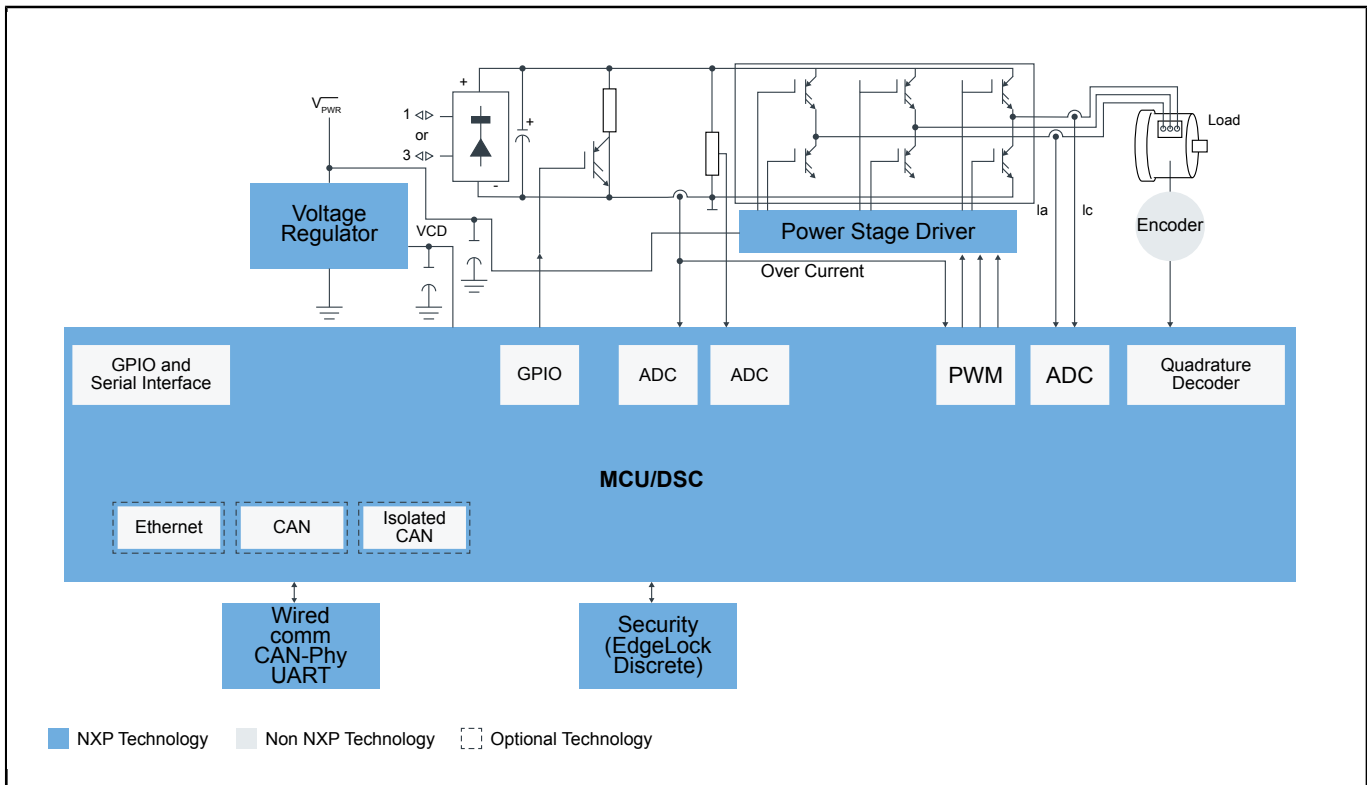


Recommended Products for Servo Motor Drive

Microcontroller (MCU)	<ul style="list-style-type: none"> • MCX-A14X-A15X: MCX A14x/15x MCUs with Arm® Cortex® M33, Scalable Device Options, Low Power and Intelligent Peripherals • MCX-N94X-N54X: MCX N94x/54x Highly Integrated Multicore MCUs with On-Chip Accelerators, Intelligent Peripherals and Advanced Security • i.MX RT Crossover MCUs: i.MX RT Crossover MCUs • MPC5775B-E: MPC5775B and MPC5775E Microcontrollers for Battery Management Systems (BMS) and Inverter Applications
AC/DC	<ul style="list-style-type: none"> • AC-DC Solutions: AC-DC Solutions • TEA19363LT: GreenChip SMPS Primary Side Control IC with QR/DCM Operation and Active x-Capacitor Discharge
Wired Interfaces	<ul style="list-style-type: none"> • CAN Transceivers: CAN Transceivers • UARTs: UARTs • I²C, SPI, I3C Interface Devices: I²C, SPI, I3C Interface Devices
I2C Expanders	<ul style="list-style-type: none"> • I²C-Bus Repeaters/Hubs/Extenders: I²C-Bus Repeaters/Hubs/Extenders • PCAL9722: 22-Bit SPI I/O Expander with Agile I/O Features • PCAL9714: 14-Bit SPI I/O Expander with Agile I/O Features

	<ul style="list-style-type: none"> • PCAL6416A: Low-Voltage Translating 16-Bit I²C-Bus/SMBus I/O Expander
Gate Driver	<ul style="list-style-type: none"> • GD3162: Advanced High Voltage Isolated Gate Driver with Dynamic Gate Strength Control • GD3160: Advanced High Voltage Isolated Gate Driver with Segmented Drive for SiC MOSFETs • GD3100: Advanced High Voltage Isolated Gate Driver for IGBT and SiC MOSFETs • GD3000: 3-Phase Brushless Motor Pre-Driver
Temperature sensor	<ul style="list-style-type: none"> • P3T1035xUK: I3C, I²C-Bus, ±0.5 °C Accuracy, Digital Temperature Sensor • P3T2030xUK: I3C, I²C-Bus, 2.0 °C Accuracy, Digital Temperature Sensor • I3C/I²C Digital Temp. Sensors: I3C/I²C Digital Temperature Sensors • PCT2075: I²C-Bus Fm+, 1 Degree C Accuracy, Digital Temperature Sensor and Thermal Watchdog
PMIC	<ul style="list-style-type: none"> • PMICs and SBCs: Power Management Integrated Circuits (PMICs) and System Basis Chips (SBCs) • UJA1169ATK: Mini High-Speed CAN System Basis Chip
Ethernet PHY	<ul style="list-style-type: none"> • Ethernet : Ethernet
Security (EdgeLock Discrete)	<ul style="list-style-type: none"> • SE050: EdgeLock[®] SE050: Plug and Trust Secure Element Family – Enhanced IoT security with high flexibility • Authentication: IoT Secure Elements and Authenticators

AC and VFD Block Diagram

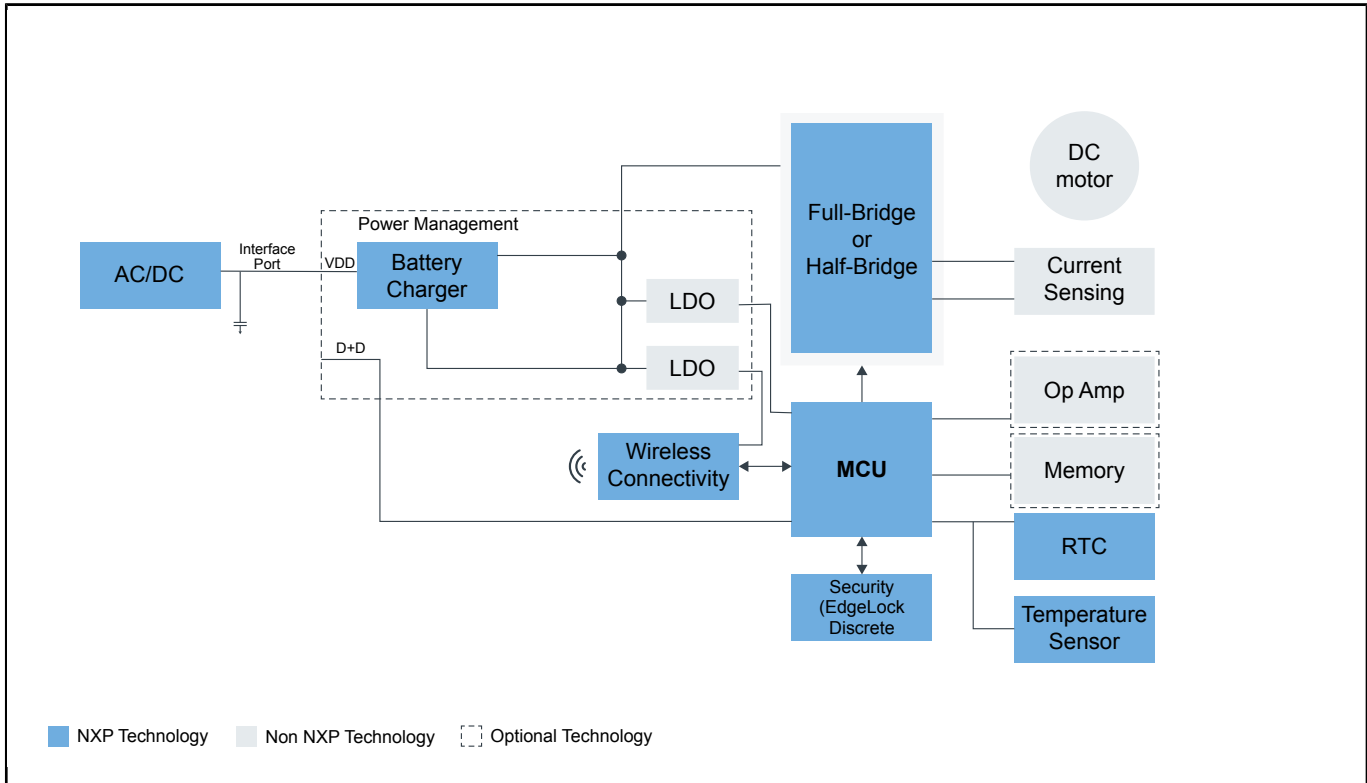


Recommended Products for AC and VFD

Controllers (MCU)	<ul style="list-style-type: none"> • MCX-A14X-A15X: MCX A14x/15x MCUs with Arm[®] Cortex[®] M33, Scalable Device Options, Low Power and Intelligent Peripherals • MCX-N94X-N54X: MCX N94x/54x Highly Integrated Multicore MCUs with On-Chip Accelerators, Intelligent Peripherals and Advanced Security • i.MX RT Crossover MCUs: i.MX RT Crossover MCUs • KV Series Arm Cortex-M4/M0+/M7: KV Series: Real-Time Motor Control and Power Conversion MCUs Based on Arm[®] Cortex[®]-M0+/M4/M7 • KE Series Arm Cortex-M4/M0+: Kinetis[®] E Series: 5V, Robust Microcontrollers (MCUs) Based on Arm[®] Cortex[®]-M0+/M4 Core
-------------------	--

	<ul style="list-style-type: none"> • LPC553x: LPC553x/S3x: Advanced Analog Arm®Cortex®-M33-Based MCU Family • MCX Arm Cortex-M: MCX Industrial and IoT Microcontrollers • S32K Auto General-Purpose MCUs: S32K Automotive General-Purpose Microcontrollers • Digital Signal Controllers: Digital Signal Controllers
Voltage Regulator	<ul style="list-style-type: none"> • Power Management: Power Management • PF5020: Multi-Channel (5) PMIC for Automotive Applications – 4 High Power and 1 Low Power, Fit for ASIL B Safety Level • PF1550: PMIC with 1A Li+ Linear Battery Charger for Low Power Processor Systems
Power Stage Driver	<ul style="list-style-type: none"> • GD3162: Advanced High Voltage Isolated Gate Driver with Dynamic Gate Strength Control • GD3160: Advanced High Voltage Isolated Gate Driver with Segmented Drive for SiC MOSFETs • GD3100: Advanced High Voltage Isolated Gate Driver for IGBT and SiC MOSFETs • GD3000: 3-Phase Brushless Motor Pre-Driver • MC34937: Three Phase Field Effect Transistor Pre-driver
Driver	<ul style="list-style-type: none"> • GD3162: Advanced High Voltage Isolated Gate Driver with Dynamic Gate Strength Control • GD3160: Advanced High Voltage Isolated Gate Driver with Segmented Drive for SiC MOSFETs • GD3100: Advanced High Voltage Isolated Gate Driver for IGBT and SiC MOSFETs • GD3000: 3-Phase Brushless Motor Pre-Driver
Wired Interfaces	<ul style="list-style-type: none"> • CAN Transceivers: CAN Transceivers • Ethernet : Ethernet • UARTs: UARTs • I²C, SPI, I3C Interface Devices: I²C, SPI, I3C Interface Devices
Security (EdgeLock Discrete)	<ul style="list-style-type: none"> • SE050: EdgeLock® SE050: Plug and Trust Secure Element Family – Enhanced IoT security with high flexibility

Portable Brushed DC Motor Block Diagram

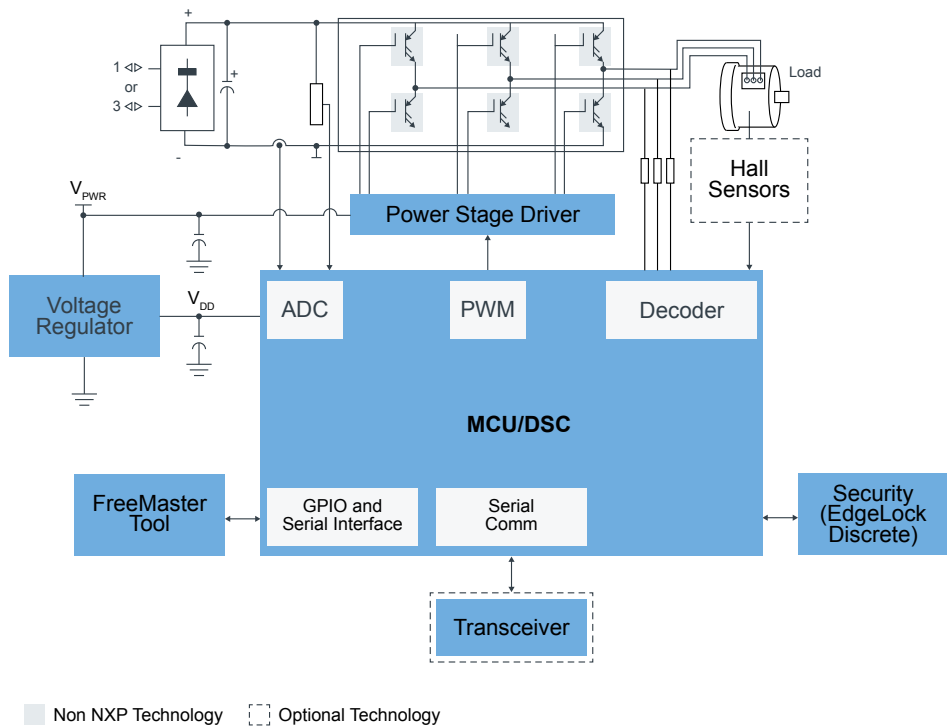


Recommended Products for Portable Brushed DC Motor

MCU	<ul style="list-style-type: none"> • MCX-A14X-A15X: MCX A14x/15x MCUs with Arm® Cortex® M33, Scalable Device Options, Low Power and Intelligent Peripherals • MCX-N94X-N54X: MCX N94x/54x Highly Integrated Multicore MCUs with On-Chip Accelerators, Intelligent Peripherals and Advanced Security
-----	---

	<ul style="list-style-type: none"> • KE Series Arm Cortex-M4/M0+: Kinetis[®] E Series: 5V, Robust Microcontrollers (MCUs) Based on Arm[®] Cortex[®]-M0+/M4 Core • MCX Arm Cortex-M: MCX Industrial and IoT Microcontrollers • LPC800 Arm Cortex-M0+ : LPC800 Series: Low-Cost Arm[®] Cortex[®]-M0+-Based MCUs
AC/DC	<ul style="list-style-type: none"> • AC-DC Solutions: AC-DC Solutions • TEA19363LT: GreenChip SMPS Primary Side Control IC with QR/DCM Operation and Active x-Capacitor Discharge
Battery Charger	<ul style="list-style-type: none"> • Battery Chargers: Battery Chargers • MC34671: 600 mA Single-Cell Li-Ion / Li-Polymer Battery Charger
Security (EdgeLock Discrete)	<ul style="list-style-type: none"> • SE050: EdgeLock[®] SE050: Plug and Trust Secure Element Family – Enhanced IoT security with high flexibility • Authentication: IoT Secure Elements and Authenticators
Temperature Sensor	<ul style="list-style-type: none"> • P3T1035xUK: I3C, I²C-Bus, ±0.5 °C Accuracy, Digital Temperature Sensor • P3T2030xUK: I3C, I²C-Bus, 2.0 °C Accuracy, Digital Temperature Sensor • I3C/I²C Digital Temp. Sensors: I3C/I²C Digital Temperature Sensors • PCT2075: I²C-Bus Fm+, 1 Degree C Accuracy, Digital Temperature Sensor and Thermal Watchdog
Full-Bridge	<ul style="list-style-type: none"> • BLDC, H-Bridge, Stepper: BLDC, H-Bridge and Stepper Motor Drivers
Full-Bridge or Half-Bridge	<ul style="list-style-type: none"> • MC33926: H-Bridge, Brushed DC Motor Driver, 5-28 V, 5 A, 20 kHz • HB2000: SPI Programmable 10 A H-Bridge Brushed DC Motor Driver • BLDC, H-Bridge, Stepper: BLDC, H-Bridge and Stepper Motor Drivers
RTC	<ul style="list-style-type: none"> • Real-Time Clocks: Real-Time Clocks
Wi-Fi	<ul style="list-style-type: none"> • Wireless Connectivity: Wireless Connectivity

Brushless DC Motor (BLDC) Control Block Diagram



Recommended Products for Brushless DC Motor (BLDC) Control

<p>MCU/DSC</p>	<ul style="list-style-type: none"> • MCX-A14X-A15X: MCX A14x/15x MCUs with Arm® Cortex® M33, Scalable Device Options, Low Power and Intelligent Peripherals • MCX-N94X-N54X: MCX N94x/54x Highly Integrated Multicore MCUs with On-Chip Accelerators, Intelligent Peripherals and Advanced Security • S32M2: S32M2 Integrated Solution for 12V Motor Control • KV Series Arm Cortex-M4/M0+/M7: KV Series: Real-Time Motor Control and Power Conversion MCUs Based on Arm® Cortex®-M0+/M4/M7 • KE Series Arm Cortex-M4/M0+: Kinetis® E Series: 5V, Robust Microcontrollers (MCUs) Based on Arm® Cortex®-M0+/M4 Core • Digital Signal Controllers: Digital Signal Controllers • LPC5500 Arm Cortex-M33: LPC5500 Series: Arm® Cortex®-M33 Based Microcontroller Series for Mass Market, Leveraging 40nm Embedded Flash Technology • MCX Arm Cortex-M: MCX Industrial and IoT Microcontrollers • S32K Auto General-Purpose MCUs: S32K Automotive General-Purpose Microcontrollers
<p>Power Stage Driver</p>	<ul style="list-style-type: none"> • GD3162: Advanced High Voltage Isolated Gate Driver with Dynamic Gate Strength Control • GD3160: Advanced High Voltage Isolated Gate Driver with Segmented Drive for SiC MOSFETs • GD3100: Advanced High Voltage Isolated Gate Driver for IGBT and SiC MOSFETs • GD3000: 3-Phase Brushless Motor Pre-Driver • MC33937: 3-Phase Field Effect Transistor Pre-Driver
<p>Voltage regulator</p>	<ul style="list-style-type: none"> • Power Management: Power Management
<p>Software</p>	<ul style="list-style-type: none"> • FreeMASTER Run-Time Debugging Tool • RTCESL: Real Time Control Embedded Software Motor Control and Power Conversion Libraries • Model-Based Design Toolbox (MBDT)
<p>Transceiver</p>	<ul style="list-style-type: none"> • CAN Transceivers: CAN Transceivers • CAN with Flexible Data Rate: High Speed CAN with Flexible Data Rate (CAN FD) • CAN Signal Improvement: CAN Signal Improvement Capability (SIC) • Secure CAN Transceivers: Secure TJA115x CAN Transceiver Family

Security (EdgeLock Discrete)

- [SE050](#): EdgeLock® SE050: Plug and Trust Secure Element Family – Enhanced IoT security with high flexibility

View our complete solution for [Motor Drives](#).

Note: The information on this document is subject to change without notice.

www.nxp.com

NXP and the NXP logo are trademarks of NXP B.V. All other product or service names are the property of their respective owners. The related technology may be protected by any or all of patents, copyrights, designs and trade secrets. All rights reserved. © 2024 NXP B.V.